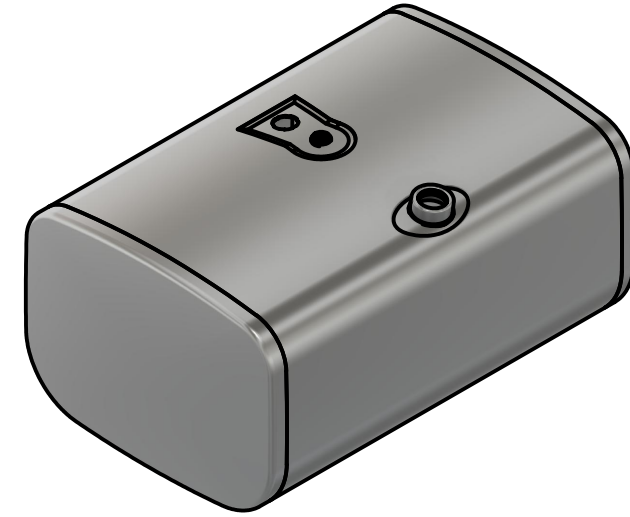
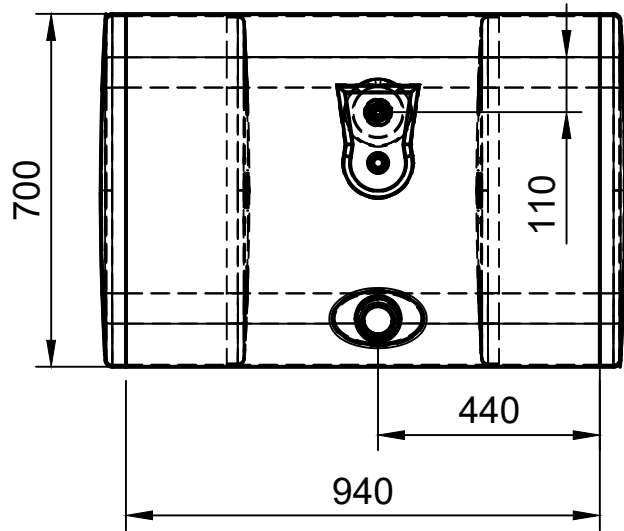


A (1:10)
M22 MALE-FEMALE TREAD



KOCAELİ METAL DEPO
+902623711442-46
gokhan.tunali@kmd.com.tr
www.kmd.com.tr

TITLE:
505X700X1040 SCANIA FUEL TANK

PRODUCT CODE: 5171104001	DATE:	LITER: 300 L
-----------------------------	-------	-----------------

DRAWN :	MATERIAL:		
APPROVED:	WEIGHT :	DWG NO:	
CUSTOMER:	SCALE : 1:15	SHEET 1 OF 1	A4